

OPERATING INSTRUCTION



FIRE ALARM SYSTEM

Model : Lexus with PA

ERTL TESTED AS PER IS:2189

NATIONAL SECURITY DEVICES

OFFICE : 485/14, SARPANCH KA BARA, MANDAWALI
FAZALPUR, DELHI-110092

WORKS : 2-A, Patparganj, Mayur Vihar,
Phase - 1, Delhi - 110091

PHONE : 011 - 22751020, 64603599, Fax: 011 - 22751020

MOBIL : 9891222660, E-mail : mailanilrawat@gmail.com

Index

- 1.Introduction**
- 2.System Feature**
- 3.Installation**
- 4.Test procedure**
- 5.Technical Data**
- 6.Trouble Shooting**
- 7. Test Report**
- 8.Lexus Main Board**
- 9.Lexus Express Board**
- 10.Lexus Power Card**
- 11.Zone Light Board**
- 12.LED Front Board**
- 13.Warranty Certificate**
- 14.Dealer's Name**

Introduction

ABOUT THE COMPANY

We Heartily welcome you in the family of NATIONAL SECURITY DEVICES, is well known name in the field of manufacturing fire alarm system . With in a short span in decades time, we achieve success every layer of the industry, got good response & respect from the customer for quality product & time bond services. Still aim to keep the high standard with Our Professional and Advance Generation's technologies, Computerized R & D, in house tool room/assembly plant and of course our skilled workmanship with the strict quality control.

We feel that customers award us time to time opportunity to serve him. We are continuously efforting on the various stage of up gradation process of our services & product. So that our valued customer gets 100% satisfaction. Some of our patrons are CPWD, PWD, BANK, RAILWAYS, ANSAL, HOTELS, UNITECH, DDA, NBCC, And many more Govt. and Pvt. security consultant.

We have strong commitments to our client to provide best quality prices and Superior customer care promote delivery.

Apart from our existing product range, we have the necessary infrastructure to provide all type security product and their accessories as per the requirement and specification of the customers.

System Feature

Your LEXUS fire alarm panel comes with its internally Power unit, changer change over circuit mains fail to battery & vice versa. Card less motherboard & express board. Panel has spaced of 2No. 17AH battery, 8 to 40 flexible zones facility with the individuals Hooter lines and a common point which gives continuous output voltage . Also has provision of extra relay contact.

Feature of the system are describe as follows :-

- 1) Micro controller based & fault monitoring system.
- 2) Separate LED display for individuals zones.
- 3) Zones wise/common hooter facility
- 5) Zone wise repeaters fire & fault(optional).
- 6) Tactile type switch building evacuation, lamp test zone test walk reset the system.
- 7) Visual indication of common fire, common fault mains, charging low battery etc.
- 8) In built auto charging.
- 9) Audio visual indication for fire/fault(zone wise).
- 10) Common silence switch for accept of fire/fault/ zone/ power) and respective common relay.
- 11) In silence condition sounder again reset in the event o f fire or fault in other zone for silence again, press silence switch.
- 12) System is fully detachable part by part such as power unit, mother board, switch pad etc. Thus servicing is simple,c ost effective and time saving also. This process does not need very experienced person, thus you can easily change the defective part.

Installation

Before the installation of any device it is necessary to choose the right place. In the case of fire alarm system it is necessary to see the following points.

1) Do not install system in high radioactive, magnetic field and moisture area.

2) Where the heavy Electric cables junction and shock hazard area.

3) In restricted area enclosed area.

For the installations of a panel make sure the back box assemble is held accurately against the wall, and mark the position of the four fixing holes. Fix it by hole.

SYSTEM COMMISSIONING

Before connection field wire is must to check them by a low voltage millimeter. It is must be satisfied hooter or other control circuit are giving right symptom. If found dough full please check them again. Before the system commissioning all the detection zone lines circuit must be check the resistance between each line & negative must be check and certified to be 4.7 Ohm +- 10%.

After the line have been found satisfactory then the detection & sounder circuit connected as per wiring with diagram. Now connected battery supply first, power fault & system on lamps glow(wrong connection reverse Battery lamps glow). Now connected mains 230V mains lamps & system on glow system will silent.

TEST PRODUCER

1) Turn on power switch, all lamps glow once for few seconds & buzzer will short beep. Digital LCD will shows initial messages & company product information in brief till few moments.

2) Press the lamps test, all lamps glow with internal sounder. If lamps not glow in LED display card change zonal (located near processor) switch(zone ON/OFF) position.

3) To test silence/reset trigger the smoke sensor will become alarm condition. Respective zone & monitor fire lamps glow remain OFF. LCD will display message. Reset the system, sensor become normal condition.

4) To test silence simulate open or short of detection line fault lamp glow. Monitor fault lamp glow & common fault relay energies with continues tone. Push silence and system will be silence monitor fault lamp relay switch while zonal fault lamps remain it

CONTROL

EVACUATE :- If the operator/concerning officer understand the fire is very in handling position, then he can evacuate the area by pressing this button. This switch is free from master switch.

LAMP TEST :- To check the LED in healthy position press this switch ALL LED will be glow with the buzzer sound.

RESET :- This has specially provided for restarting the system after any event or function.

WALK TEST :- This switch for maintenance purpose & not used regularly. During maintenance it is possible there is only one person & it is not possible that he can not silence the switch from long distance sensor from panel . So before testing long distance sensor press walk Test switch Hooter will not operate for 15 minutes & there after it will be in normal condition. Reset the switch cancel action of Walk Test.

Technical Data

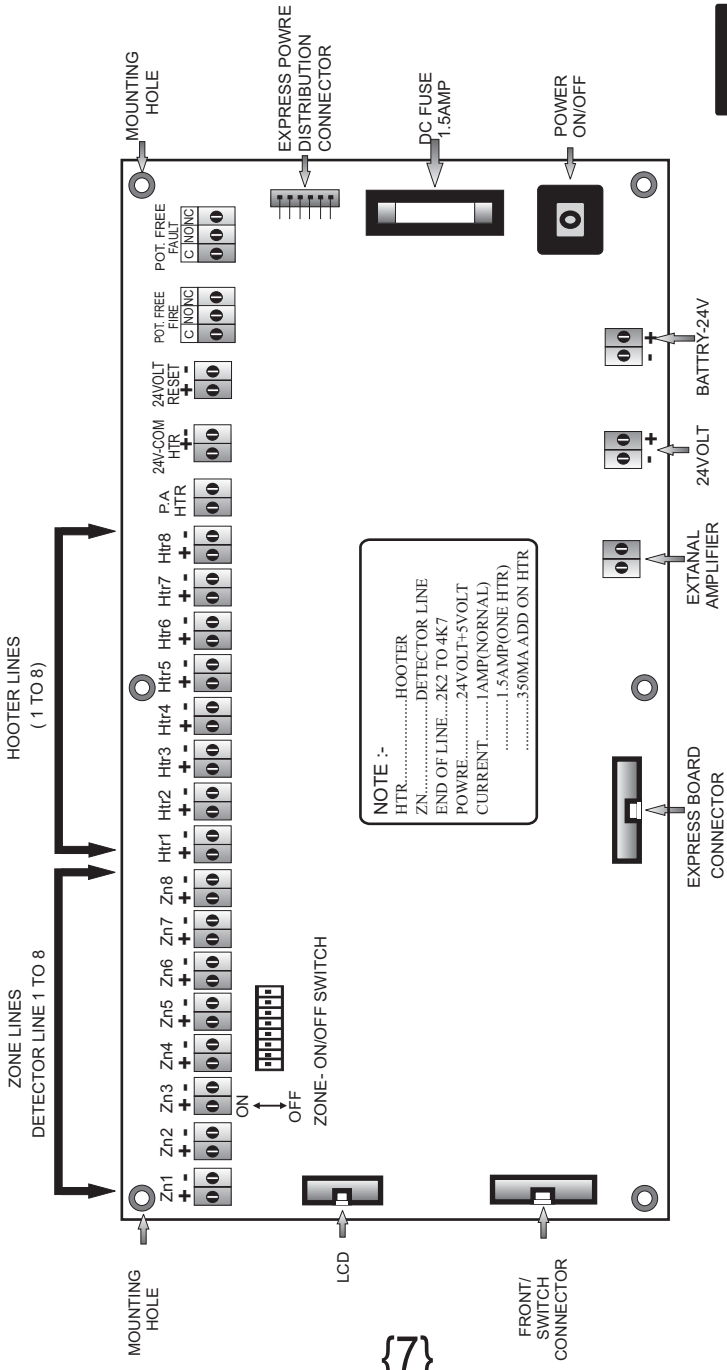
- 1)** OPERATING VOLTAGE : 24 DC + 10%.
- 2)** MAINS SUPPLY : 220V AC.
- 3)** STAND BY SUPPLY : 24V DC.
- 4)** AUXILIARY CHARGER : 24V/1AMP.
- 5)** VOLTAGE CHARGER : 26.6V.
- 6)** STAND BY CURRENT : 15.6MA ZONE.
- 7)** ALARM CURRENT : 35MA ZONE
- 8)** AC FUSE RATING : 750 MA.
- 9)** DC FUSE RATING : 1.5AMP.
- 10)** DIMENSIONS : (500X400X110)m.m
- 11)** WEIGHT : 14Kgs.

Trouble Shooting

| Fault | Solution/check Point |
|--|---|
| 1) Only mains lamp glow | Check DC Fuse |
| 2) Only Power fault lamp glow | Check all fuse |
| 3) Low batt charging lamp glow For long period | Replace battery |
| 4) Zone display lamp not glow | Check the cable . Call the engineer |
| 5) L.C.D. Not massaging | check cable . call to engineer |
| 6) Sounder not operated. | Check filed wiring. silence switch check. Call engineer |
| 7) Zone fault appear | Check field wiring. Call engineer. |

WIRING/CONNECTOR DIAGRAM

MAIN BOARD MODULE : LEXUS

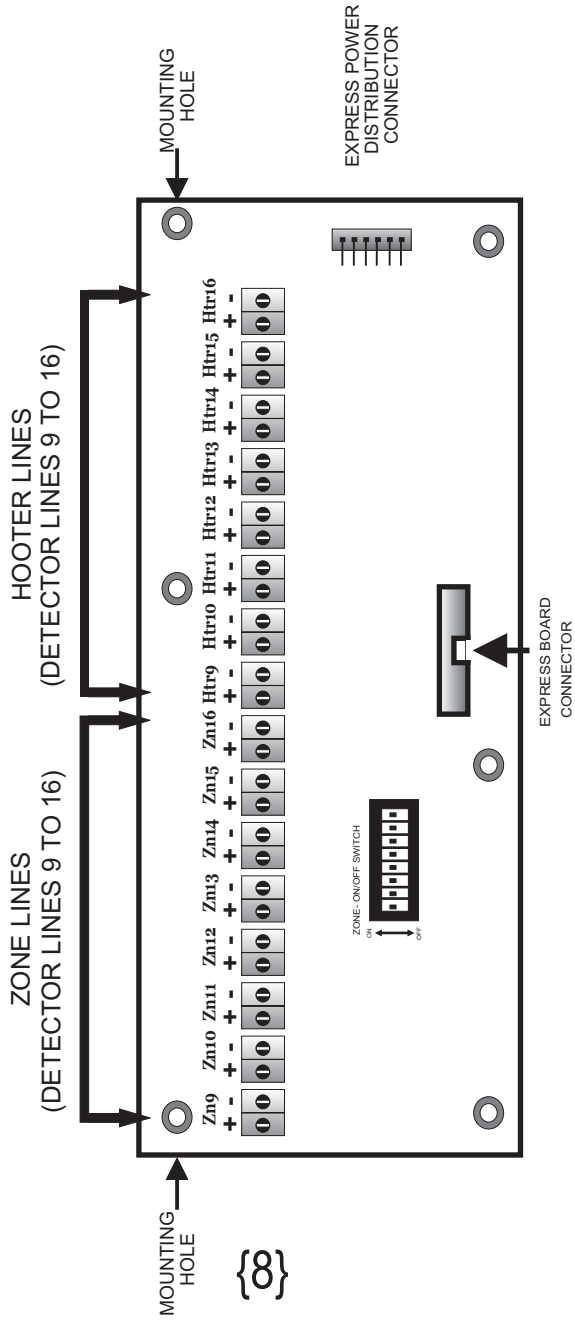


{7}

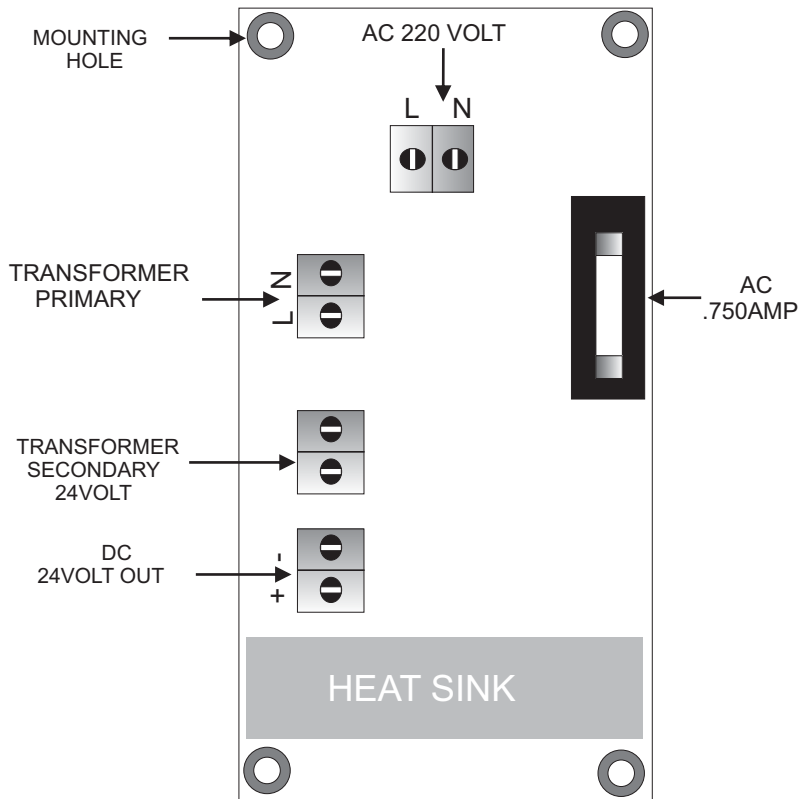


PROPERTY OF NATIONAL SECURITY DEVICES DO NOT COPY

LEXUS'S EXPRESS BOARD WIRING/CONNECTOR DIAGRAM



Power supply (WIRING/CONNECTOR DIAGRAM)



Warranty Certificate

Dear Customer,

Your **NATIONAL SECURITY DEVICES** Fire alarm system so guaranteed against manufacturing defects of parts and components for a period of 12 months from date of purchase.....

During this period any items found defective will be repaired at our works or through service center.

Terms & Condition : -

- 1) Serial No. Sticker should not be broken/tempered /mismatch
- 2) Serial No. Sticker should not be tempered/loss or miss match our company record.

Serial No :-

Stamp :-

NATIONAL SECURITY DEVICES

{10}



DEALER'S NAME & ADDRESS



MODEL NO : LEXUS

SRL.NO :

SALE DATE :



H.O. : 485/13 & sarpanch ka Bara,Mandawali,
Fazalpur,Delhi-11 00 92.

Works : 2A Patparganj, Mayur vihar -1,
Near Pandev Nager Police Station,Delhi- 11 00 91.

Fax : +91 11 2275 1020.

Phone : +91 11 2275 1020,6460 3599.

E-Mail : natioaldevices@gmail.com,
mailanilrawat@gmail.com

Website : www.all-safe.in