



HOOTER (M.S. BODY)



▶ TECHNICAL SPECIFICATION

● Model	Hooter (P.S.)
● AC Voltage	100V A.C.
● DC Voltage	24 V D.C.
● Current	300 M.A.
● Sound O/P	100 dB
● Material	Mild steel
● Weight	450 gms.
● Dimension (mm)	130x190x80
● Colour	Red
● Speakar	NSD/ Philips
● Flasher	NA

All-Safe

HOOTER (M.S. BODY)



► TECHNICAL SPECIFICATION

● Model	Hooter (P.S.)
● AC Voltage	100V A.C.
● DC Voltage	24 V D.C.
● Current	300 M.A.
● Sound O/P	100 dB
● Material	Mild steel
● Weight	450 gms.
● Dimension (mm)	130x190x80
● Colour	Red
● Speakar	NSD/ Philips
● Flasher	NA

MANUAL CALL BOX(M.S. BODY)



► TECHNIFICATION SPECIFICATION

• Model	M.C.B. (M.S.)
• Voltage	24V DC
• Current	Alarm 30 M.A. 30 M.A. Normal NA NA
• Material	Mild steel
• Weight	140 gms.
• Colour	Red
• Dimension	120x95x55mm

All-Safe

MANUAL CALL BOX(ABS. BODY)



► TECHNIFICATION SPECIFICATION

● Model	M.C.B. (M.S.)
● Voltage	24V DC
● Current	{ Alarm 30 M.A. 30 M.A. Normal NA NA
● Material	Mild steel
● Weight	140 gms.
● Colour	Red
● Dimension	120x95x55mm

DATA SHEET

RESPONSE INDICATOR (ABS)



Model	M.S.Back	M.S.	M.S. (Mini)	P.S.(Mini)
Power	24 V DC	24 V DC	24 V DC	24 V DC
Current	5 mA	5 mA	5 mA	5 mA
Material	Polymer+M.S.	M.S. Sheet	M.S. Sheet	Polymer
Weight	300 Gms	350 Gms	250 Gms	50 Gms
Dimension (mm)	65 x 55 x 35	75 x 100 x 50	65 x 65 x 40	65 x 55 x 35
Colour	White	White	White/Grey	Red/White

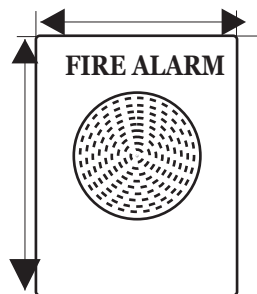
HOOTER (TECHNICAL DETAIL)



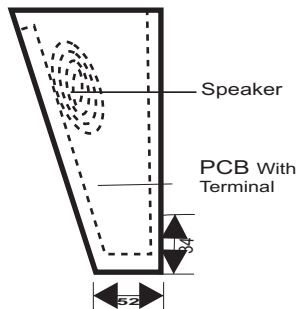
► SPECIFICATION

• Model	Metal Body
• Voltage	24V DC/100v a.c.
• Material	M.S. Sheet
• Weight	1200 gms.
• Colour	Red
• Dimension	130x210x80
• Speaker	Philips

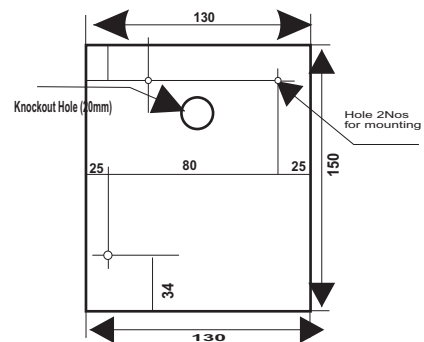
NOTE:- These sepecification & technical information Are applied on standard hooter products of national security devices. Hooter are also made on requirement basis. *Specification may be change without pre information.*



Front View



Side View



Rear View

Circuit Diagram

